



## 381N5MEG

**381 Series Industrial Potentiometer, Conductive Plastic Element, Solder lug Terminals, 1 W Power Rating, 5 MOhm Resistance Value**

*Representative photograph, actual product appearance may vary.*

*Due to regional agency approval requirements, some products may not be available in your area.*

*Please contact your regional Honeywell office regarding your product of choice.*

### Features

- Conductive plastic element
- Linear taper
- Rugged construction: Metal case and nickel-plated brass shaft and bushings
- Solder lug terminals

### Typical Applications

- Manual controls
- Welding and heating
- Telecommunications

### Description

The 381 Series is a 1 watt potentiometer with a conductive plastic element and a metal housing.

## 381N5MEG

**381 Series Industrial Potentiometer, Conductive Plastic Element, Solder lug Terminals, 1 W Power Rating, 5 MOhm Resistance Value**

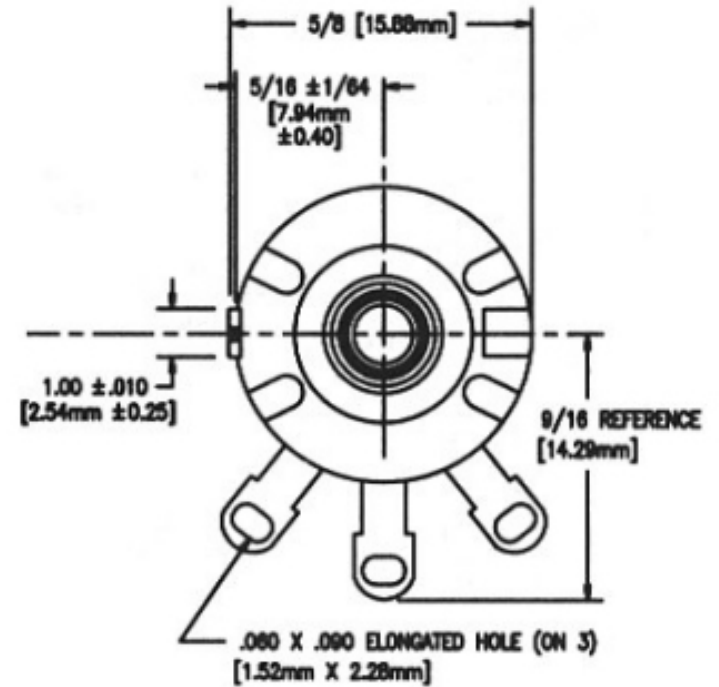
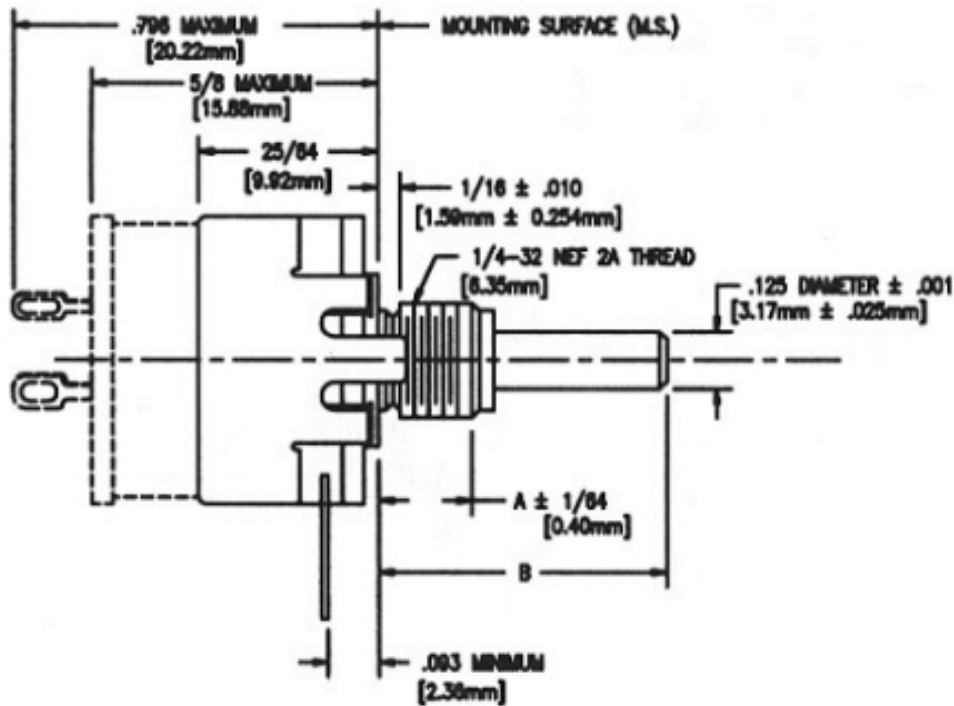
Product Specifications	
Potentiometer Type	Industrial
Element Type	Conductive Plastic
Terminal Type	Solder lug
Power Rating	1 W
Resistance Value	5 MOhm
Resistance Tolerance	± 20 %
Linearity	± 5 %
Bushing Thread	6,35 mm [0.25 in] x 32 NEF-2A
Bushing length	6,35 mm [0.25 in]
Bushing Type	Standard
Shaft Diameter	3,18 mm [0.125 in]
Shaft length	19,05 mm [0.75 in]
Shaft Ending	Slotted
Body	15.88 mm [0.625 in] diameter, ± 0.79 mm [0.031 in]
Electrical Taper	Linear
Operating Temperature	-40 °C to 120 °C [-40 °F to 248 °F]
Working Voltage (Max.)	350 V
Rotational Life	25000 cycles
Mechanical Rotation	300°
Availability	Global
Series Name	381 Series
UNSPSC Code	4111363300
UNSPSC Commodity	4111363300 Potentiometers

**Honeywell**

## 381N5MEG

381 Series Industrial Potentiometer, Conductive Plastic Element, Solder lug Terminals, 1 W Power Rating, 5 MOhm Resistance Value

## For Reference Only mm/in



A & B & C DIMENSIONAL VARIABLE. TOLERANCES NOT SPECIFIED  $\pm 1/32$  [0.80mm]

# Honeywell

## 381N5MEG

381 Series Industrial Potentiometer, Conductive Plastic Element, Solder lug Terminals, 1 W Power Rating, 5 MOhm Resistance Value

** WARNING**

**PERSONAL INJURY**

DO NOT USE these products as safety or emergency stop devices, or in any other application where failure of the product could result in personal injury.

**Failure to comply with these instructions could result in death or serious injury.**

** WARNING**

**MISUSE OF DOCUMENTATION**

- The information presented in this product sheet (or catalog) is for reference only. DO NOT USE this document as product installation information.
- Complete installation, operation and maintenance information is provided in the instructions supplied with each product.

**Failure to comply with these instructions could result in death or serious injury.**